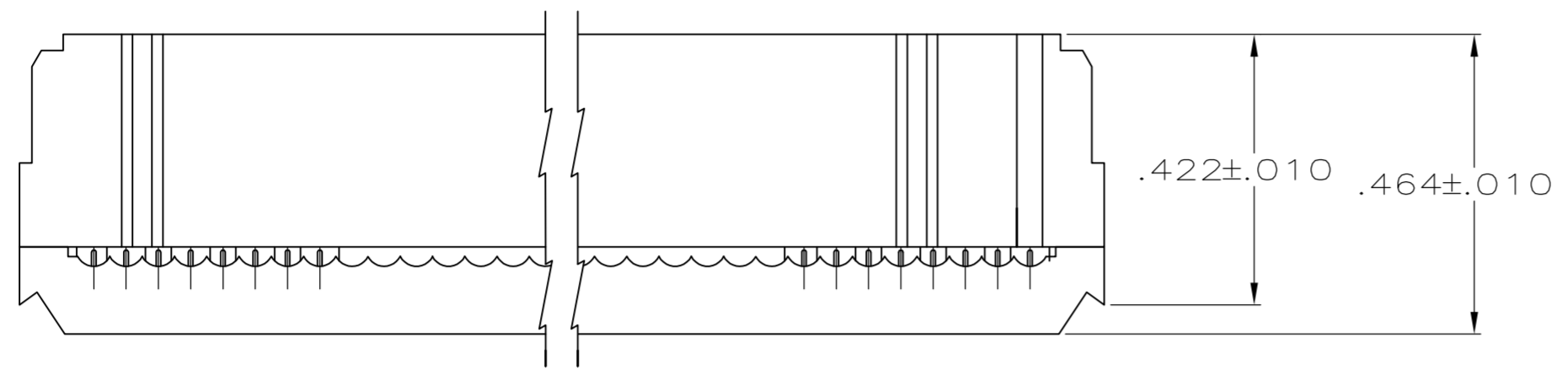


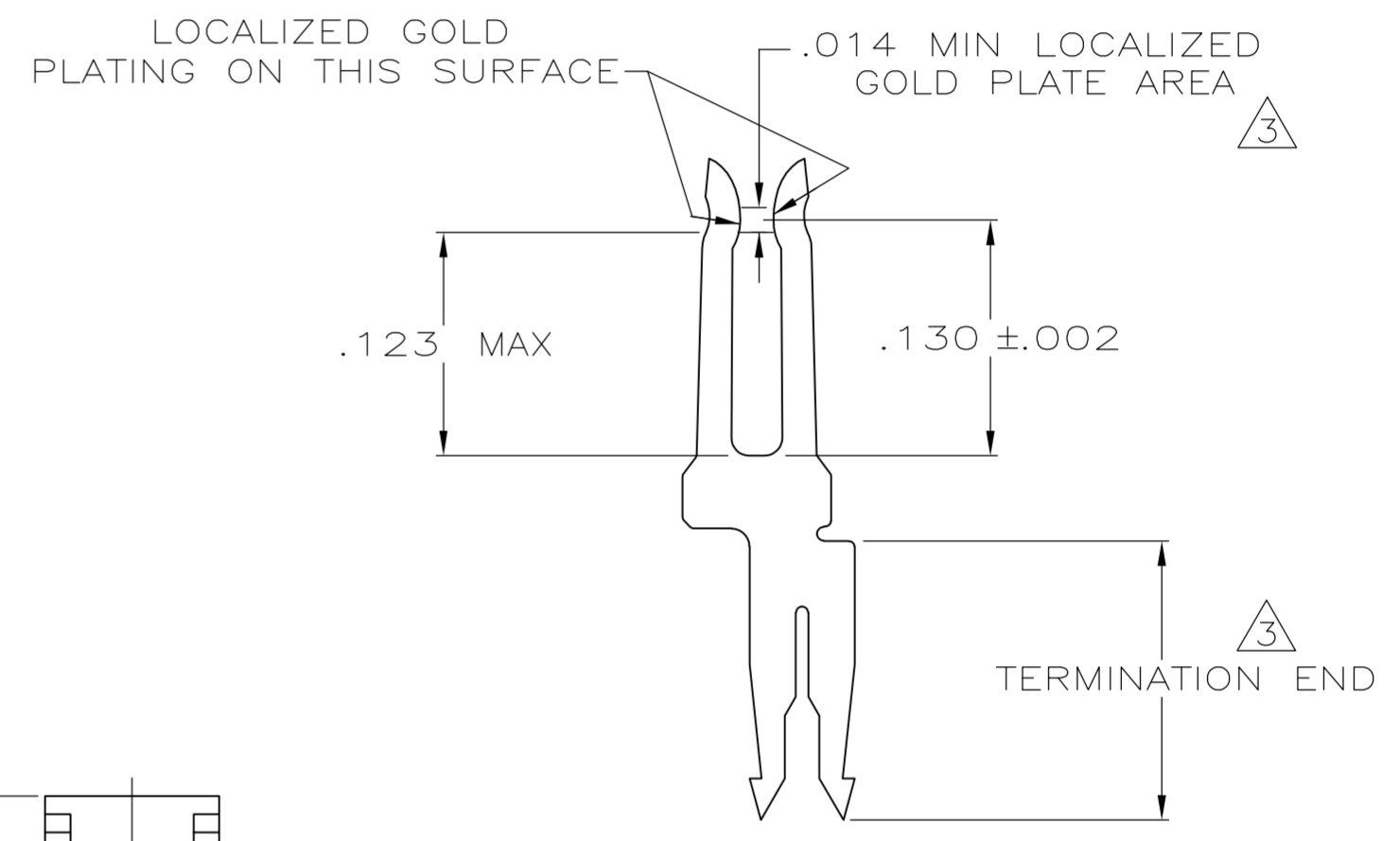
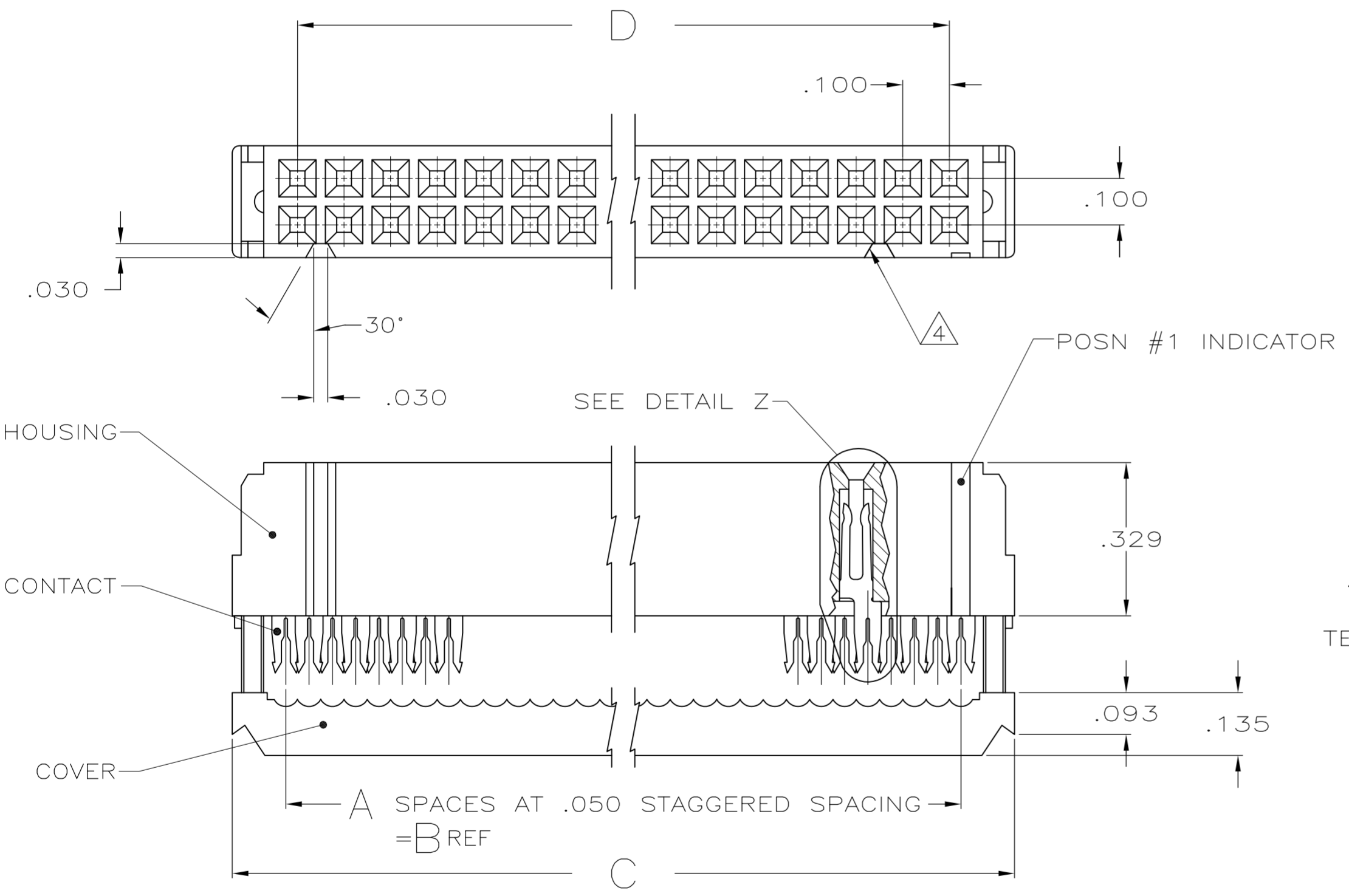
THIS DRAWING IS UNPUBLISHED. RELEASED FOR PUBLICATION  
 © COPYRIGHT BY TYCO ELECTRONICS CORPORATION. ALL INTERNATIONAL RIGHTS RESERVED.

LOC	DIST	REVISIONS			
P	LTR	DESCRIPTION	DATE	DWN	APVD
GP	00	C	REVISED PER ECO-08-014902	10-NOV-08	ZMRCWR

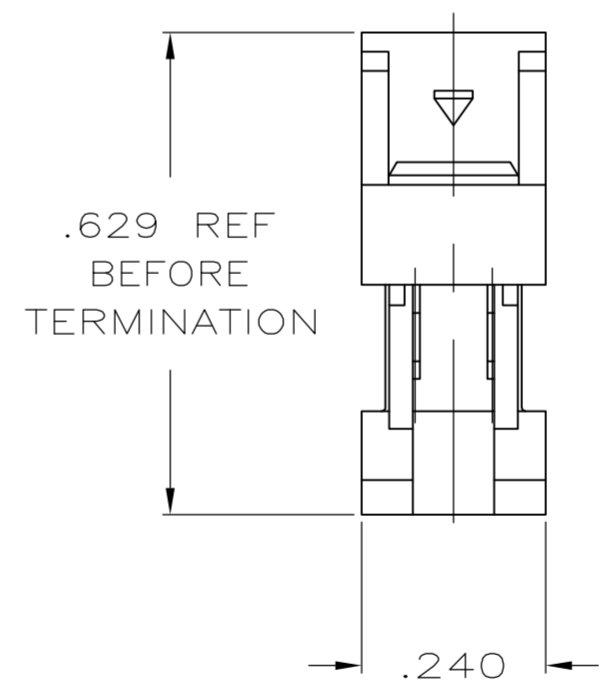
- ① MOLDED PARTS: UL RATED 94V-0 THERMOPLASTIC, BLACK.
- ② CONTACTS: PHOSPHOR BRONZE PER QQ-B-750.
- ③ CONTACTS: PLATED WITH .000030 MIN GOLD IN LOCALIZED GOLD PLATE AREA, .000050 MIN TIN ON TERMINATION END, ALL OVER .000050 MIN NICKEL ON ENTIRE CONTACT.  
OR  
GOLD FLASH OVER PALLADIUM-NICKEL PLATE .000030 MIN TOTAL IN LOCALIZED GOLD PLATE AREA, .000050 MIN TIN ON TERMINATION END, ALL OVER .000050 MIN NICKEL ON ENTIRE CONTACT.
- ④ POLARIZING FEATURE DOES NOT EXIST ON SAME END AS THE POSN #1 INDICATOR ON 10 AND 14 POSN PRODUCT.



TERMINATED VIEW



DETAIL Z  
SCALE 10:1  
TYPICAL



3.100	3.380	3.150	63	64	1-1658623-2
2.900	3.180	2.950	59	60	1-1658623-1
2.400	2.680	2.450	49	50	1-1658623-0
1.900	2.180	1.950	39	40	1658623-9
1.600	1.880	1.650	33	34	1658623-8
1.400	1.680	1.450	29	30	1658623-7
1.200	1.480	1.250	25	26	1658623-6
1.100	1.380	1.150	23	24	1658623-5
.900	1.180	.950	19	20	1658623-4
.700	.980	.750	15	16	1658623-3
.600	.880	.650	13	14	1658623-2
.400	.680	.450	9	10	1658623-1
D	C	B	A	NO OF POSN	PART NUMBER

THIS DRAWING IS A CONTROLLED DOCUMENT.

DWN	R. SAMICK	25AUG03	Tyco Electronics Corporation Harrisburg, PA 17105-3608			
CHK	C. ROHDE	25AUG03				
APVD	M. WALMSLEY	25AUG03				
PRODUCT SPEC	108-40000					
APPLICATION SPEC	114-40005		NAME			
MATERIAL	SEE NOTES	WEIGHT	SIZE	CAGE CODE	DRAWING NO	RESTRICTED TO
FINISH	SEE NOTES		A2	00779	C=1658623	
CUSTOMER DRAWING			SCALE	SHEET	REV	
			4:1	1 of 1	C	